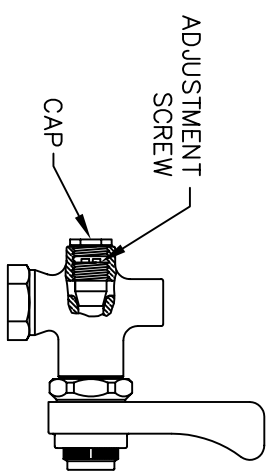
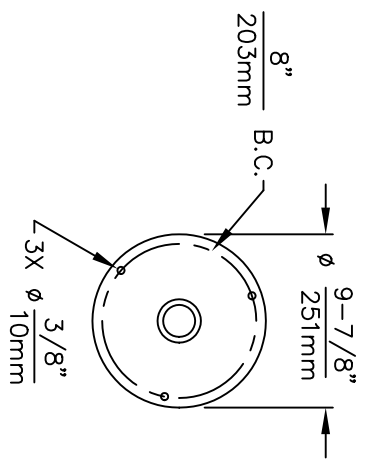


TO ADJUST FLOW, TURN ADJUSTMENT SCREW COUNTER CLOCKWISE TO INCREASE FLOW, AND CLOCKWISE TO DECREASE FLOW.



VALVE DETAIL  
SCALE: 3X



MOUNTING DETAIL

ROUGH-IN DIMENSIONS MAY VARY ±1/4" (6.4mm).

**INFO FAX : 1-888-FAX-HAWS (1-888-329-4297)**  
 1455 Kiappa Ln, Sports NY, 89431  
 Phone: 775-359-4712 Fax: 775-359-7424  
 Haws AG Building 3 CH-3401 Burgdorf Switzerland  
 Haws King Pte Ltd 74 Sungai Kodut Loop Singapore 729531  
 e-mail: Haws@hawsco.com Website: www.hawsco.com

REG. NO. 3482 REG. DATE 06/92 REG. TYPE 1 REG. BY ECH:SAZS REG. FOR C.U.I. APPROVER:	MODEL(S): 3482 INFO FAX DOC # 23482 SCALE: 1:10 DRAWING TYPE: INSTALLATION/FABRICK	REG. NO. 10210000 REG. DATE 07/2000 REG. TYPE 1 REG. BY 10210000 REG. FOR C.U.I. APPROVER:
--	---	--